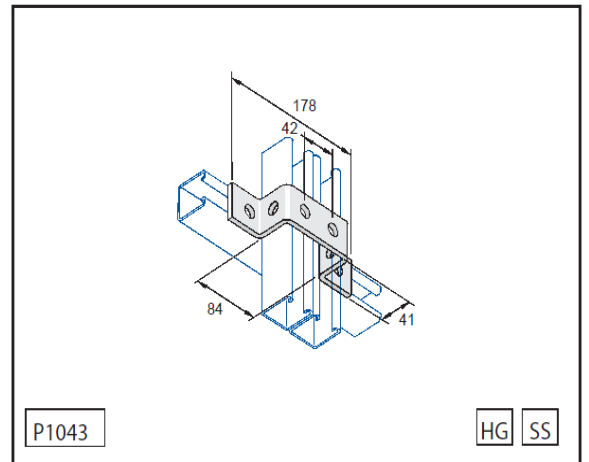
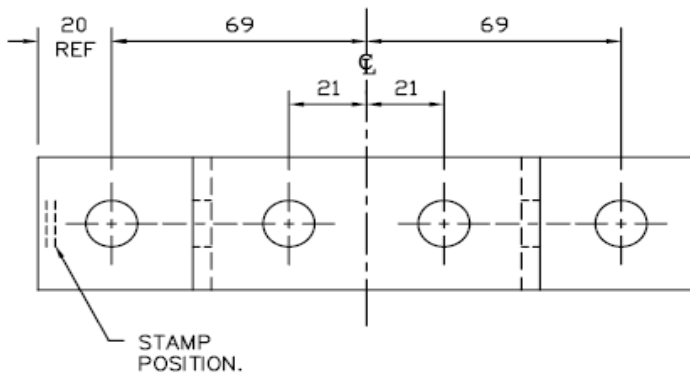
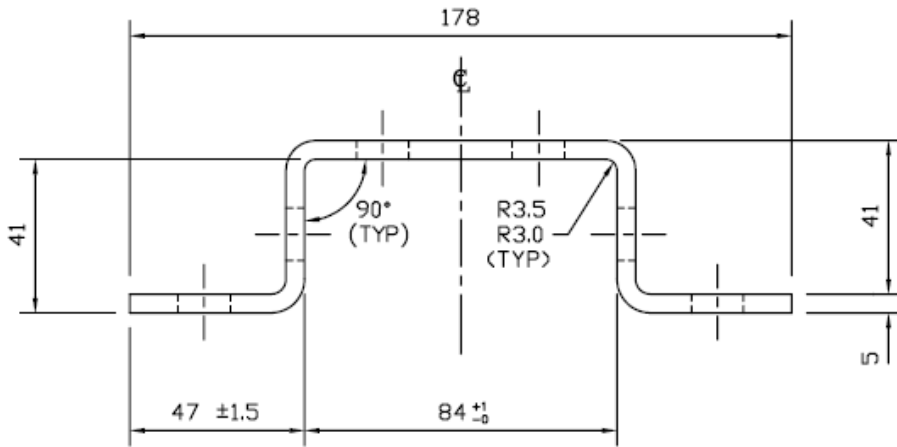


Product Data Sheet

P1043 series 6 Hole 'U' Bracket



Material: Mild Steel to BS EN 10149-2-S315MC or GB/T 1591 - Q345
Stainless Steel to BS EN 10088-2-1.4404+1D (S316)

Fixings:- All 14mm diameter holes use M12 grade 8.8 hex head screws with M12 BSEN 10025 S275 or GB/T 700- Q235 channel nuts.

Application: Drawings illustrate the fitting being used with P1000.- 41mm square channel. Other applications are possible.

Finishes: Hot Dip Galvanised process in accordance with BS EN ISO 1461 to a mean coating thickness (minimum) of 55µm.
or
Stainless Steel - Self Colour as per material specification.

Part Weight: 0.355 Kg
Box Weight: 3.55 Kg
No. Per Box: 10