

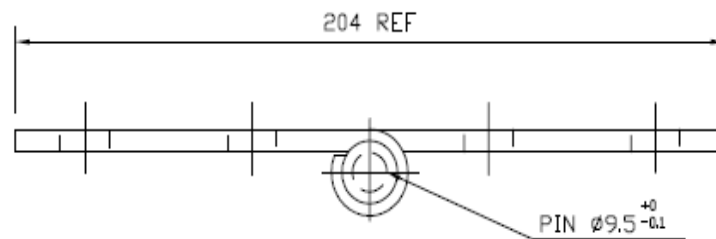
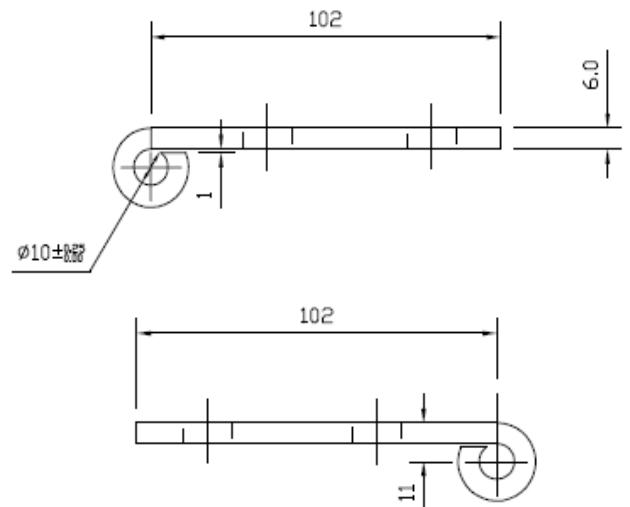
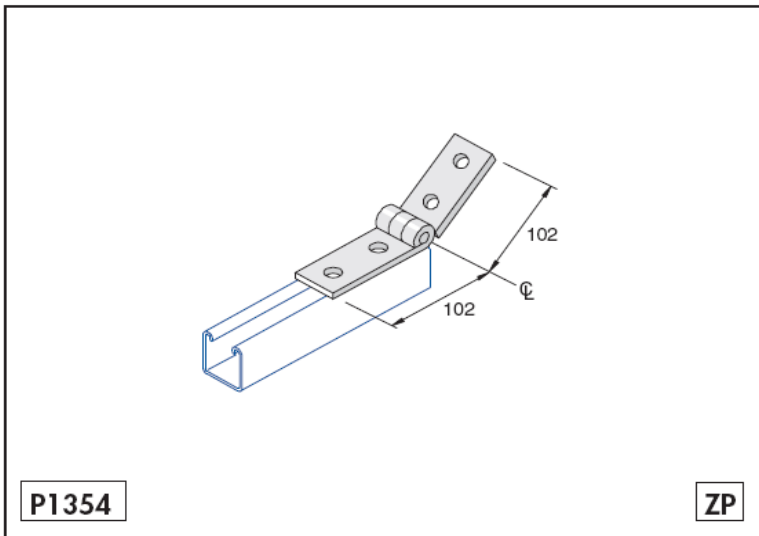
Product Data Sheet

P1354 issue: B date: April 2011

UNISTRUT[®]



P1354 - VARIABLE ANGLE FITTING



Materials: Mild Steel to BS1449 Section 1.2 KHR4P or Q195 max. Carbon 0.08%

Finishes: Zinc Plated to BS EN 12329 - Fe//Zn5//A or A3A nominal 8 microns thick.

Application:- Drawings illustrate only one application for the fitting. In many cases other applications are possible.
The channels shown in the application are P1000,41mm square, except where otherwise noted.
Loading data varies due to specific application, for all queries contact Unistrut UK

Fixings:- All 14mm diameter holes use M12 grade 8.8 hex head screws with M12 BSEN 10025 S275 or Q235 Channel Nuts.

Part Weight:- 0.45Kg

Box Weight: 4.5Kg

No. Per Box; 10

UNISTRUT HEALTH & SAFETY DATA SHEET REF'S :

No. 001 - PLAIN STEEL, PRE-GALVANIZED, GALVANIZED AND STAINLESS STEEL COMPONENTS

No. 099 - HOT DIP GALVANIZING (CHANNEL & COMPONENTS)

No. 102 - STEEL



BS EN ISO 9001
Cert. FM825